

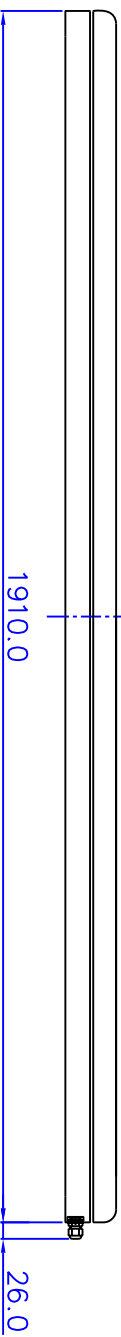
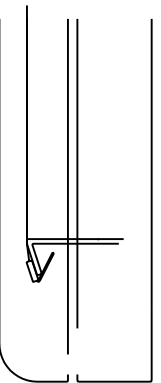
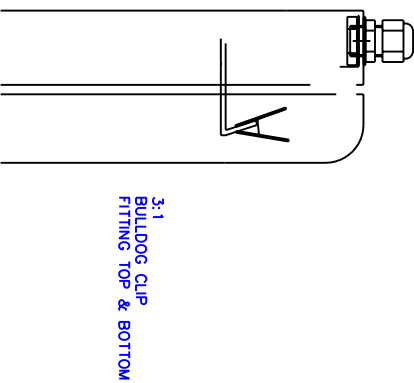
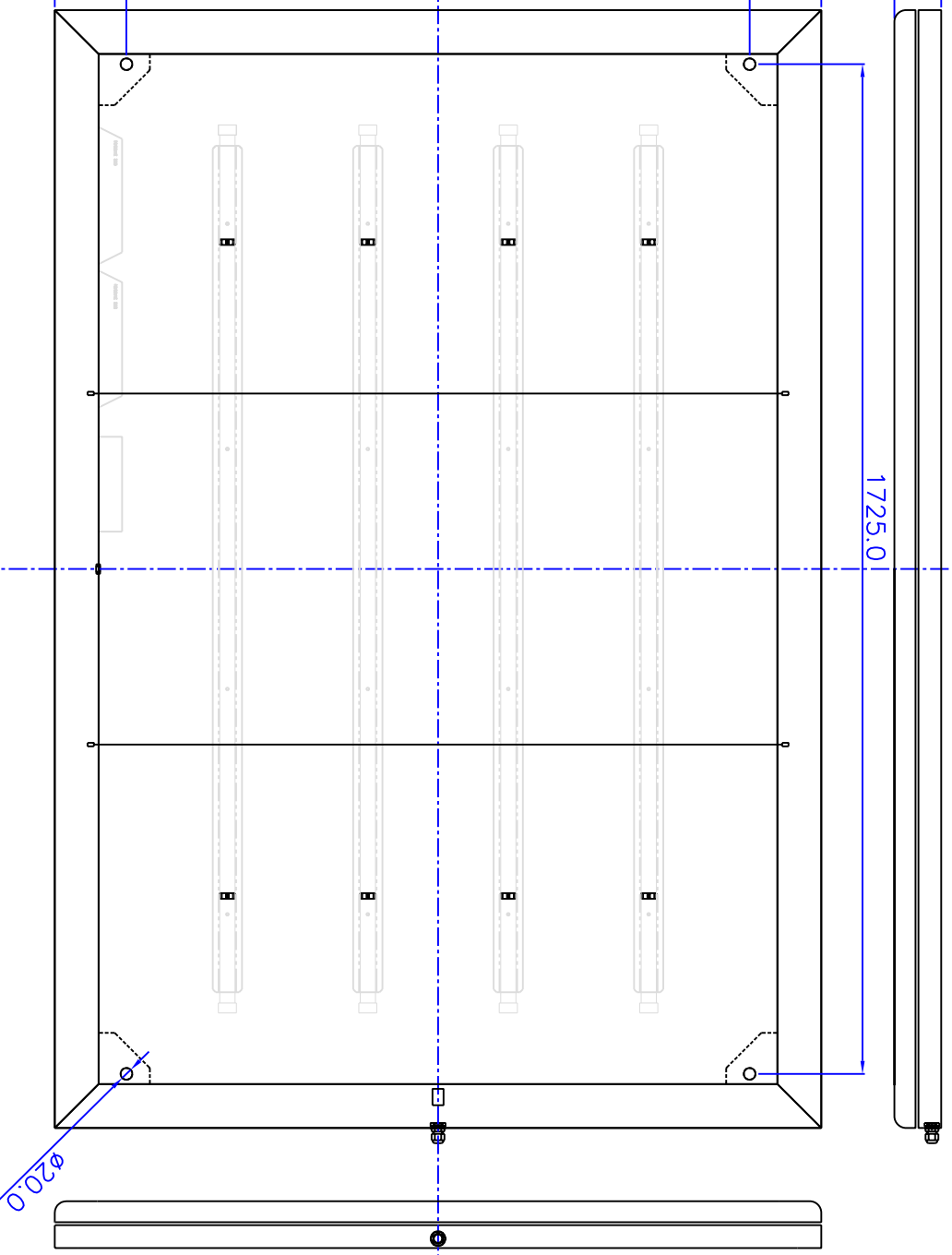
Technical Specification

Product Name:	Slimlite-6	
Part Number:	4070	
General:	Overall Dimensions (approx)	1310 (w) x 1910 (h) x 80 (d) mm
	Poster Size	1200 x 1800 mm (UK 6-sheet)
	Viewing Area	1160 x 1760 mm
	Mass	40 kg
	Mean Bare Panel Illuminance	2500 lux (no poster present)
Components:	Superstructure	1 part extruded aluminium frame, retaining lighting and back panel
	Door	1 part extruded aluminium frame, retaining glazing, ingress seal
	Hinge	Optional - standard unit has lift off door
	Lock	Gravity lock from aluminium extrusion on left and right sides
	Diffuser	None - see below
	Light Dispersal System	Attached to lamps, passivated mesh lenses
	Posting Method	Standard bulldog clips, clear wire poster supports
Material Specifications:	Mild Steel	BS EN 10111: 1998 HR4P+O, sheet to S275, box section to S355 max. tensile stress
	Aluminium (sheet)	BS EN 485515573 1050 AH14
	Aluminium (extruded)	Grade 6063, anodised to 25um
	Glazing	4mm clear PET
	Stainless Steel	304 S15 2B
	Zintec Steel	Zintec, BS EN 10152: 1994DC01+ZE
	Ingress Seal	Closed cell foam & EPDM extrusions
	Finishes	Polyester powder coat in various RAL or BS4800 colours
Electrical Specifications:	Lamp Configuration	4 x 58W T8 Fluorescent 6000-6500K lamps
	Control Gear	2x 258 high frequency ballast, Power factor >0.97, temp -15 C to +50 C
	Control Gear standards	EN55015, EN61547, EN61347-1, EN61347-2-3, EN60929, EN61000-3-2
	Mains Input	240V / 50Hz
	Power Consumption	220W
	Protection	3A fuse (screw in fitting)
	Switching	Toggle switch for unit on/off
Other:	Ingress Protection	IP44

REMOVE ALL BURRS, SHARP EDGES AND CORNERS



DOOR OPENING TOOL PART 6030
TO BE ORDERED SEPARATELY



ISS	-	ALL DIMENSIONS IN mm	TOLERANCES U.O.S.	0 ± 1.0	0.0 ± 0.5	0.00 ± 0.20
CHANGES						
NO.						
DATE						
DESCRIPTION						

THIS DRAWING IS THE PROPERTY OF ETHER-TEC LTD. & SHALL NOT BE LOANED, REPRODUCED, COPIED, OR IN ANY MANNER DISCLOSED TO A 3RD PARTY WITHOUT CONSENT.	
DRAWN/DATE: RI 25/10/06	APPROVED/DATE: RI 25/10/06
TITLE: GENERAL ARRANGEMENT	
PROJECT: WALL MOUNTED UNIT	
PROJECT: SLIMLITE6	
DWG NO.: 1966-01	ISSUE: